

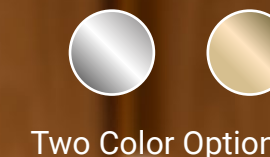


HP2

Wire-Free Peephole Door Viewer

See visitors, from wherever you are

Gone are the days when you had to lean against the small peephole to find out who was at your front door. The HP2 integrates a compact peephole camera and an indoor screen, so you can see what's going on at a quick glance – even remotely via your phone. The HP2 is battery-powered and features a privacy-focused design, providing easy installation, enhanced visibility and improved protection in one simple kit.



Two Color Options



Live View
from Anywhere



4.3-Inch
Indoor Color Screen



1080p
Resolution



146° Wide-Angle
View



2,200 mAh
Rechargeable
Lithium Battery



Supports
2.4 GHz Wi-Fi



Easy
Installation




Fits 14-26 mm
Hole

Turn your peephole into a wide-angle, sharp camera

Stop worrying that you can't see well enough through a narrow peephole. With the HP2's smart lens, you can now get a much wider, clearer picture of who's coming and going. From the delivery person's face to what he is holding in his hands, it's hard to miss a thing.

 1080p Resolution

 146° Wide-Angle View

 F1.6 Large Aperture

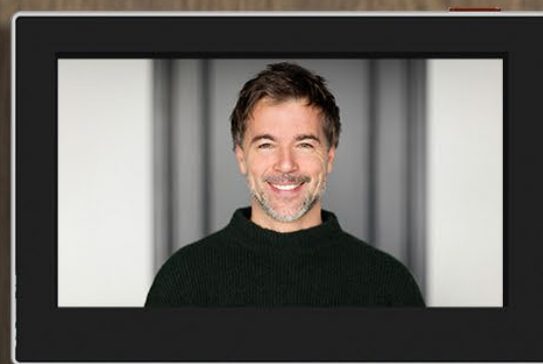


Designed to blend in naturally

Offering two color options, the compact camera fits elegantly into your door without being visually intrusive. Apart from removing the existing peephole, no permanent changes or damage to your door are needed. It could also better protect your privacy, too. With the HP2 in place, people from the outside can no longer look into the hole.

Your front-door security is now just a tap away

Whether you're out running errands or just too lazy to get off the couch, just use your phone to check on activities at the hallway. On the EZVIZ App, you can easily load live video to always stay in the loop.



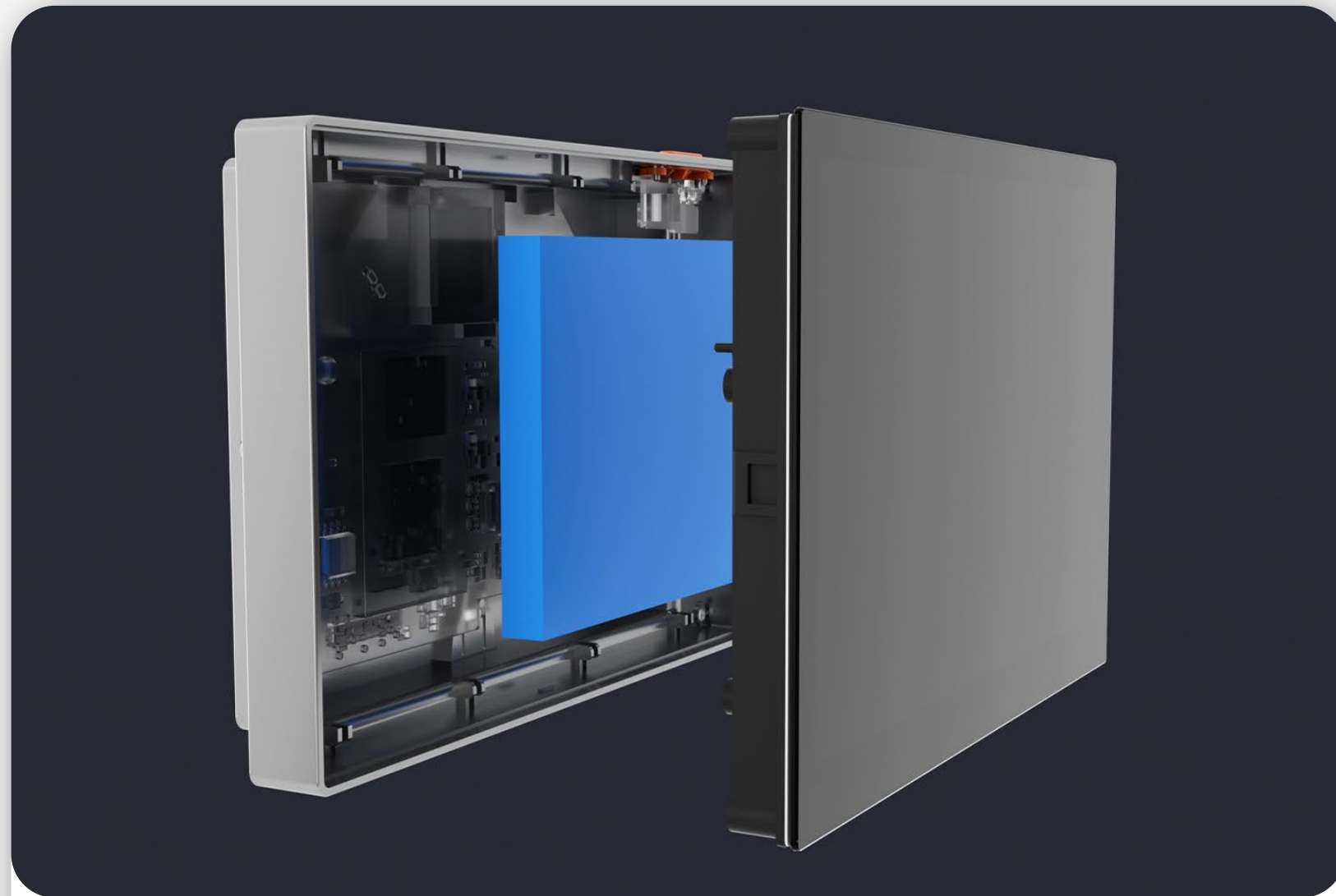
4.3-Inch Color Screen

View on a big screen, not through a tiny hole

With the HP2, you don't have to go all the way to the door before you know who's knocking. With the large 4.3-inch color screen right on the inside of your door, you can see live feeds and effortlessly identify visitors even from a distance.¹

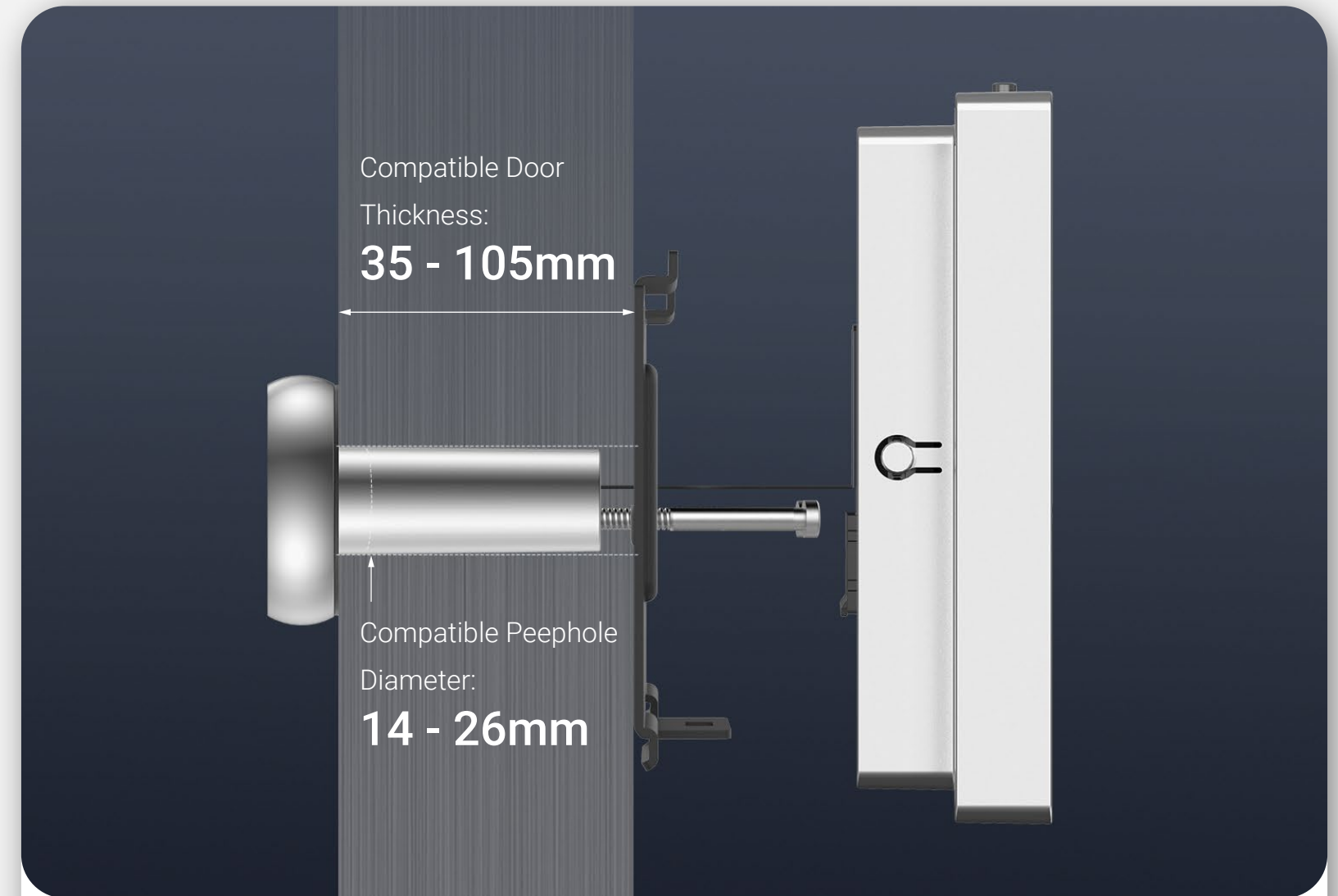


A thoughtful product to see more, but worry less



Made for long-lasting security

To guard the door and make you feel secure around the clock, the HP2 uses a built-in battery with a relatively long standby time, so you don't need to recharge it frequently.



Built to fit easily and tightly

The HP2 is easy to install without complicated wiring or tools, as long as there's a compatible hole on your door. You can have the door viewer up and running in no time, all by yourself.

1 For the indoor screen to render live video feeds, users need to first manually switch on the screen with the physical button on the device body.

Specifications

CS-HP2-R100-6E2WB-GD CS-HP2-R100-6E2WB-GR

Installation Parameters

Supportive Hole Diameter	14 to 26 mm (0.55 to 1.0 inch)
Supportive Door Diameter	35 to 105 mm (1.38 to 4.13 inch)

Camera Parameters

Sensor	1/3" Progressive Scan CMOS
Lens	2.0 mm @ F1.6, Visual Angle (Diagonal):146°
Max. Resolution	1080p / 2MP
Video Frame Rate	15fps

Interface

Buttons	1. Screen Wake-up Button (Reset button) 2. On/off Button
---------	---

Network

Protocol	EZVIZ Cloud Proprietary Protocol
Video Viewing	Local and Remote Video Viewing
General Function	Cloud Video Encryption and Image Encryption

Wireless

Wi-Fi Standard	IEEE802.11b, 802.11g, 802.11n
Frequency Range	2.4 GHz ~ 2.4835 GHz
Channel Bandwidth	Supports 20 MHz
Security	64/128-bit WEP, WPA/WPA2, WPA-PSK/WPA2-PSK, WPS
Transmission Rate	11b: 11Mbps , 11g: 54Mbps, 11n: 150Mbps

General

Screen	4.3-inch Color Screen
Color	Silver/Golden
Operating Conditions	-10°C to 45°C (14°F to 113 °F), Humidity 95% or less (non-condensing)
Power Supply	DC5V±10%
Power Consumption	Max. 2W
Dimensions	Screen: 113*75*20 mm (4.45*2.95*0.97 inch) Peephole: 32 mm Diameter (1.26 inch Diameter)
Net Weight	190g (6.7oz)

In the box

- Panel
- Camera
- Mounting Base
- Screws (x8)
- Power Cable
- Regulatory Information (x2)
- Quick Start Guide

Certifications

CE / WEEE / ROHS / REACH

Specifications are subject to change without notice. "EZVIZ" and other trademarks and logos are the properties of EZVIZ in various jurisdictions.